



INSTALLATION INSTRUCTIONS

Congratulations – your new Work-Rite load assists are quality products capable of improving the handling and comfort of your vehicle while under load. As with all products, proper installation is the key to obtaining all of the benefits your kit is capable of delivering. Please take a few minutes to read through the instructions to identify the components and learn where and how they are used. It is a good idea to start by comparing the parts in your kit with the parts list below.

***NOTE: IF ANY PARTS ARE MISSING FROM THE KIT,
PLEASE CALL 1-800-888-0650.
PLEASE DO NOT CALL OR RETURN THE KIT TO THE DEALER.***

Be sure to take all applicable safety precautions during the installation of the kit. The instructions listed in this brochure and the illustrations all show the left, or driver's side of the vehicle. To install the right side assembly simply follow the same procedures.

STEP 1 – PREPARE THE VEHICLE

With the vehicle on a solid, level surface chock the front wheels. Remove the negative battery cable. Remove the jounce bumpers located under the frame rail. The jounce bumpers, bolts, and nuts will not be re-used with this kit.

STEP 2 – PRE-ASSEMBLE THE KIT

Select one Work-Rite load assist from your kit. Insert a 3/8"-16 x 1" bolt and flat washer through the bottom of the Work-Rite and into the small hole in the top. Fasten the Work-Rite to the upper bracket using a flange lock nut. ***See Figure "A".***

NOTE: An optional spacer may be installed to engage the Work-Rite sooner when a load is applied. To install, place between the Work-Rite and the upper bracket. If the spacers are installed, use the 3/8"-16 x 2" bolts instead of the 3/8"-16 x 1" bolts. There should be 1/4" to 3/8" between the Work-Rite and the axle. See Figure "B".

STEP 3 – INSTALLING THE ASSEMBLY ON THE VEHICLE

Attach the upper bracket onto the vehicle using M10 x 30MM flat head bolts inserted into the holes from the jounce bumper removal. The long leg of the upper bracket should be facing to the front of the vehicle. ***See Figure "A".***

STEP 4 – FINISH UP

Remove the wheel chocks and reconnect the battery cable. Now you're finished and ready to put your Work-Rite to use!

PARTS LIST

2500 WORK-RITE LOAD ASSISTS	1259	2	3/8"-16 X 2" HEX BOLT	2
3500 WORK-RITE LOAD ASSISTS	1260	2	M10 x 30MM FLAT HEAD BOLT	4
UPPER BRACKET	5637	2	3/8"-16 FLANGE LOCK NUT	2
OPTIONAL SPACERS	0013	4	3/8" FLAT WASHERS	2
3/8"-16 X 1" HEX BOLT		2		

Figure "A"

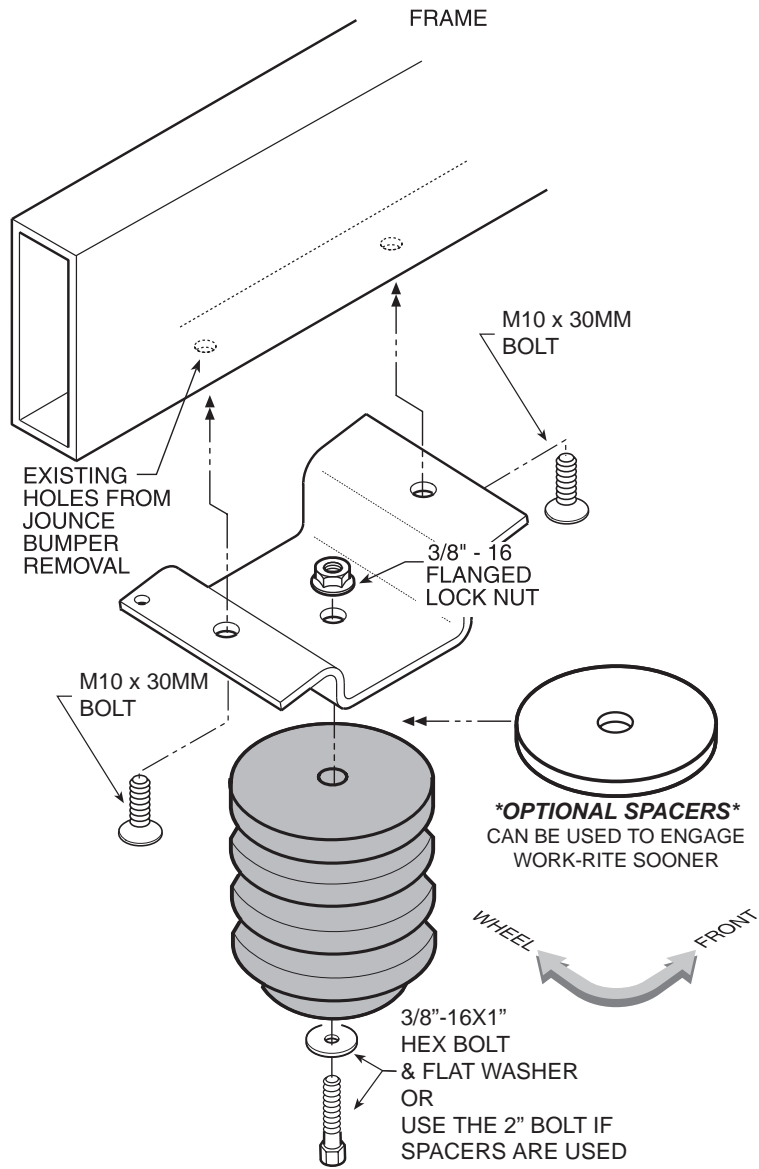


Figure "B"

